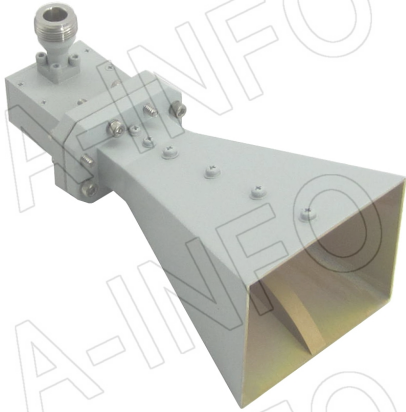


For reference only. See data sheet for the detailed specifications.

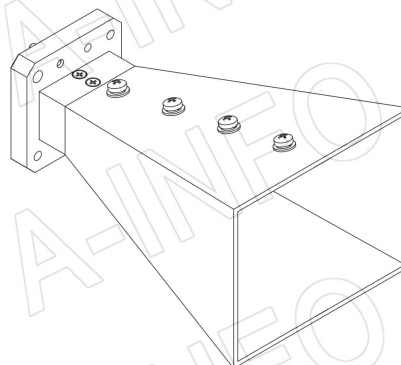
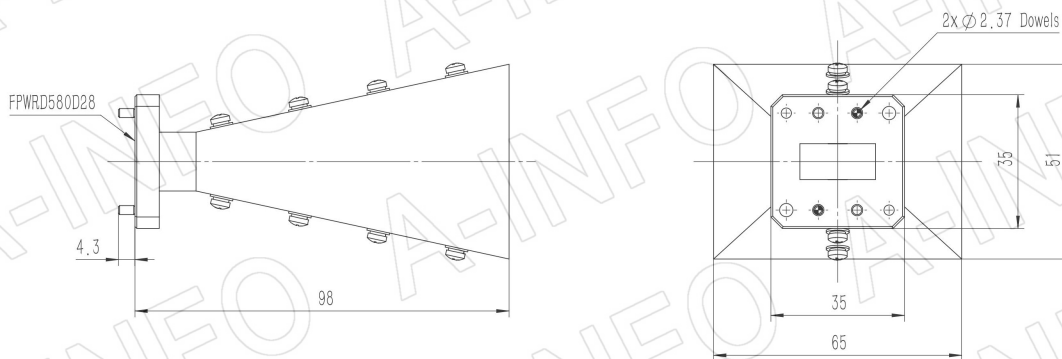
Technical Specification



Frequency Range(GHz)	5.8 – 16.0
Gain(dBi)	10 Typ.
Polarization	Linear
3dB Beamwidth(deg)	E Plane: 55 - 21
	H Plane: 53 - 24
Cross Pol. Isolation(dB)	20 Typ.
VSWR	1.5:1 Typ.
Output	A Type: FPWRD580D28
	C Type: N-Female or SMA-Female
Power Handling(W CW)	N-F: 150 Max.
	SMA-F: 50 Max.
Material	Al
Finish	Passivation and Chemical Conversion Coating, Gray Paint
Size(mm)	A Type: 65 x 51 x 98
	C Type: 65 x 59.5 x 140.7
Net Weight(Kg)	A Type: 0.15 Around
	C Type: 0.30 Around

Outline Drawing (Size: mm)

FPWRD580D28 Output (P/N: LB-58160-10-A)



AINFO Inc.

China(Beijing): Tel: (+86) 10-6266-7326,
 China(Chengdu): Tel: (+86) 28-8519-2786,
 USA: Tel: (+1) 949-639-9688,

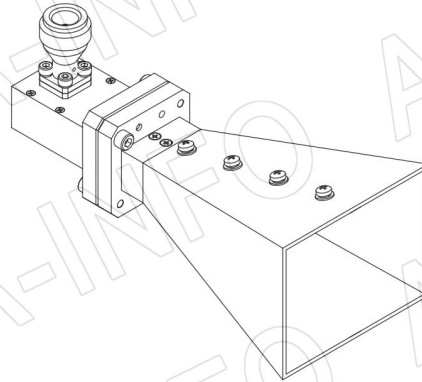
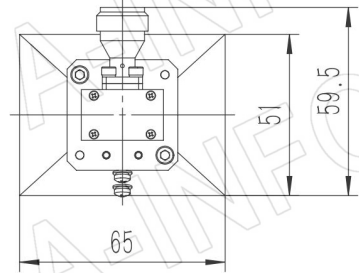
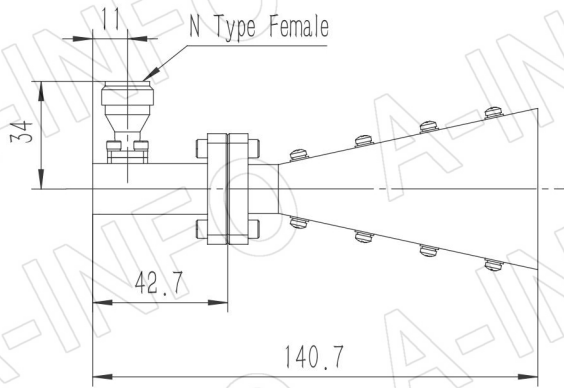
Page 1 of 9

(+86) 10-6266-7327 Fax: (+86) 10-6266-7379
 (+86) 28-8519-3044 Fax: (+86) 28-8519-3068
 (+1) 949-639-9608 Fax: (+1) 949-639-9670

Website: www.ainfoinc.com
 Email: sales@ainfoinc.com

N-Female Output (P/N: LB-58160-10-C-NF)

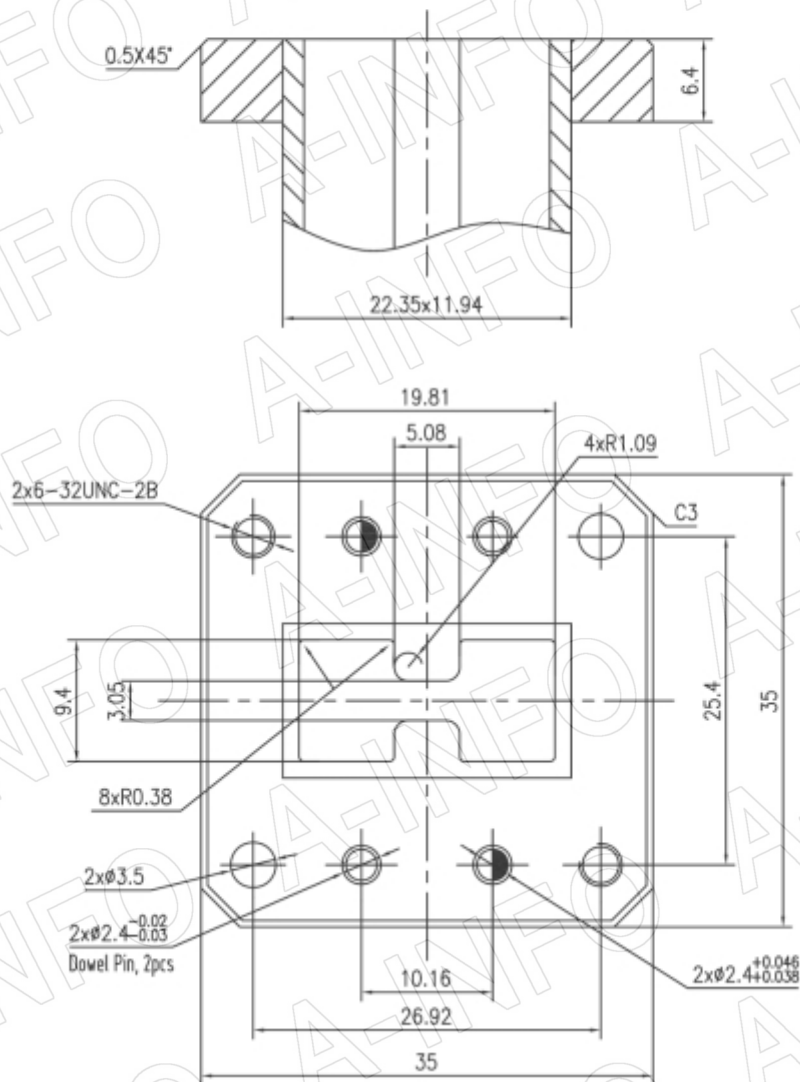
For SMA-Female output outline drawing, please contact A-INFO.



Flange Drawing (Size: mm)

FPWRD580D28

(With two through mounting holes and two screws holes)



AINFO Inc.

China(Beijing): Tel: (+86) 10-6266-7326,
 China(Chengdu): Tel: (+86) 28-8519-2786,
 USA : Tel: (+1) 949-639-9688,

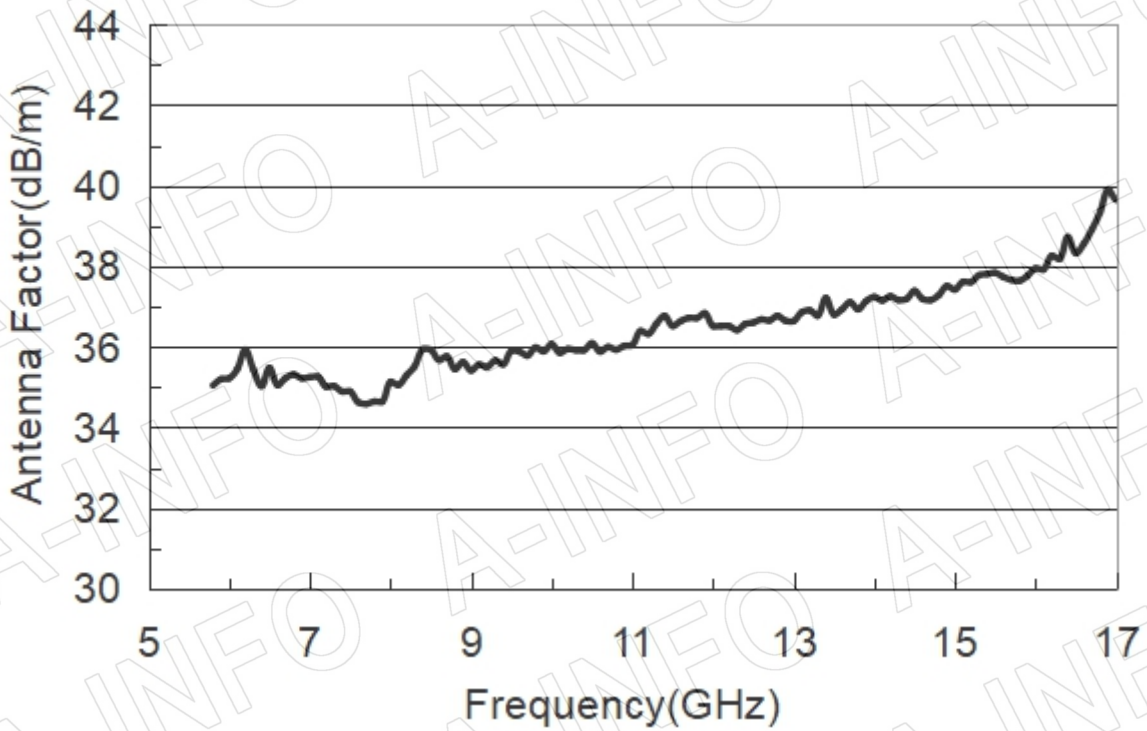
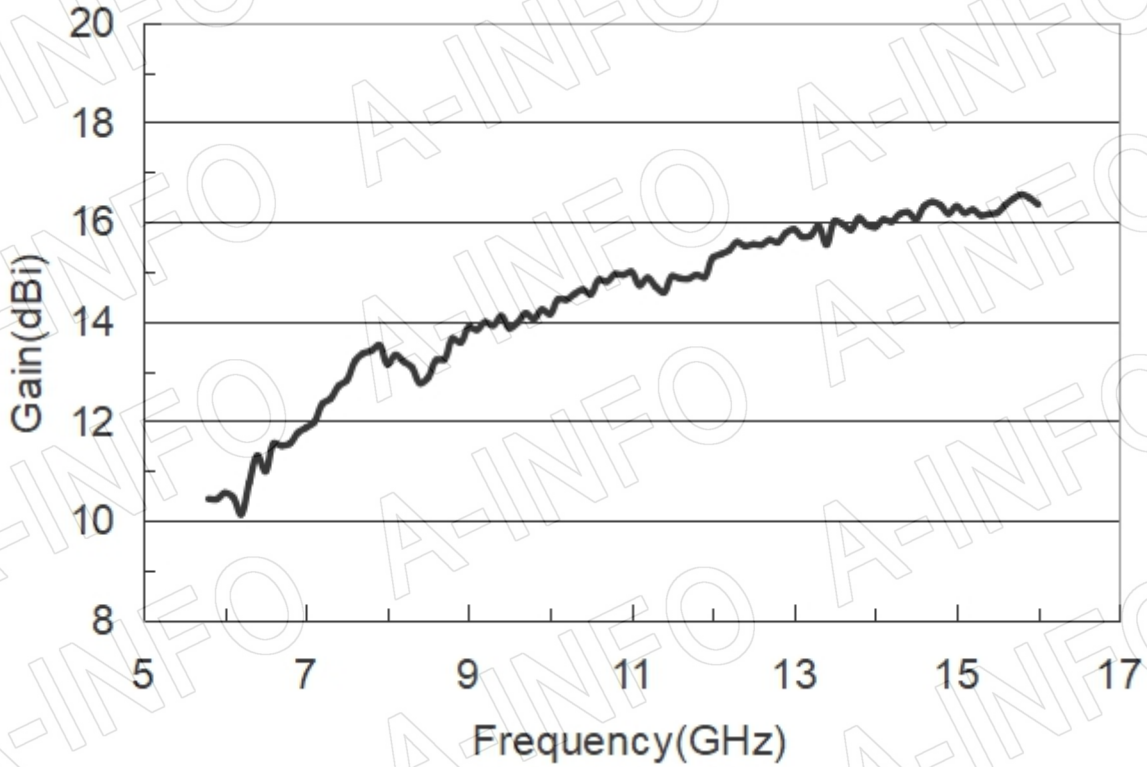
Page 3 of 9

(+86) 10-6266-7327 Fax: (+86) 10-6266-7379
 (+86) 28-8519-3044 Fax: (+86) 28-8519-3068
 (+1) 949-639-9608 Fax: (+1) 949-639-9670

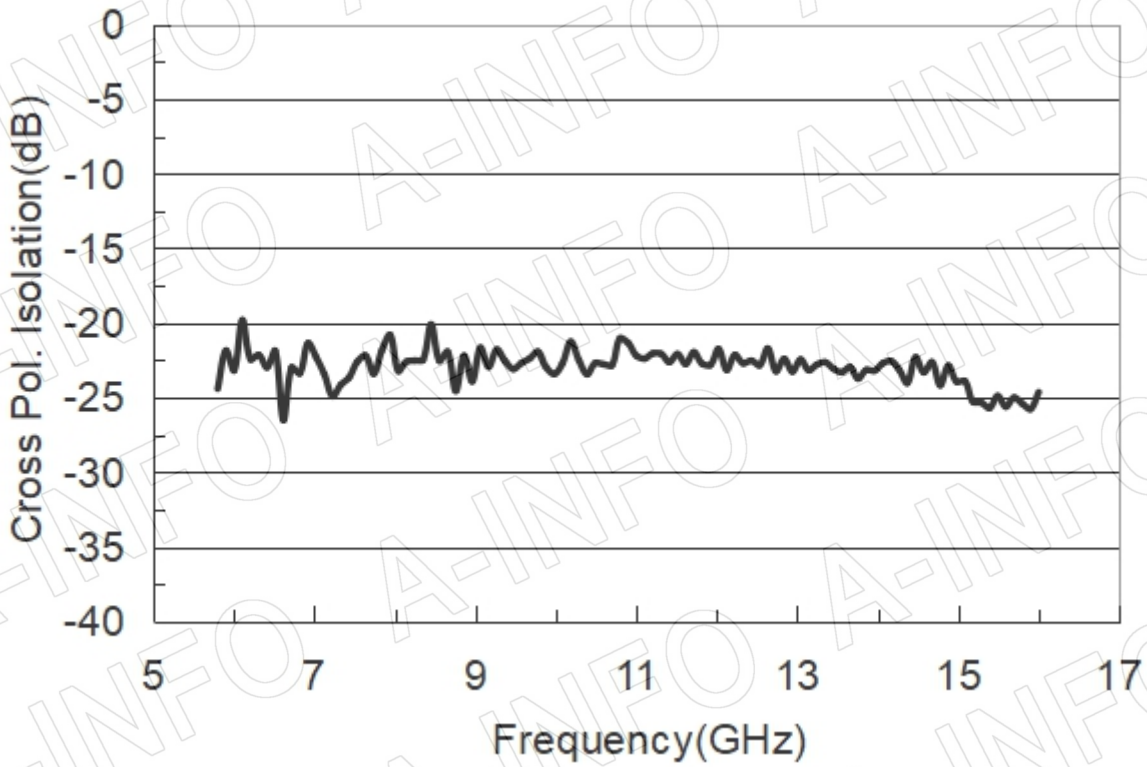
Website: www.ainfoinc.com
 Email: sales@ainfoinc.com

Test Results

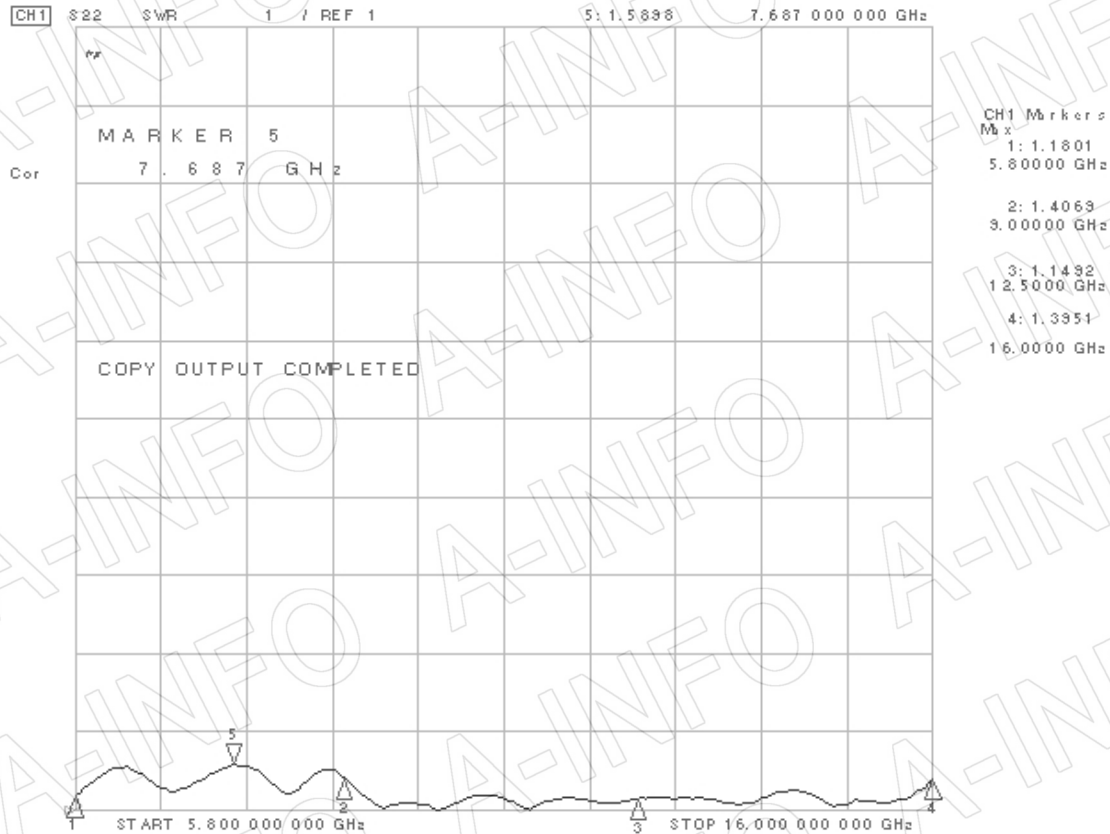
1. Gain & Antenna Factor



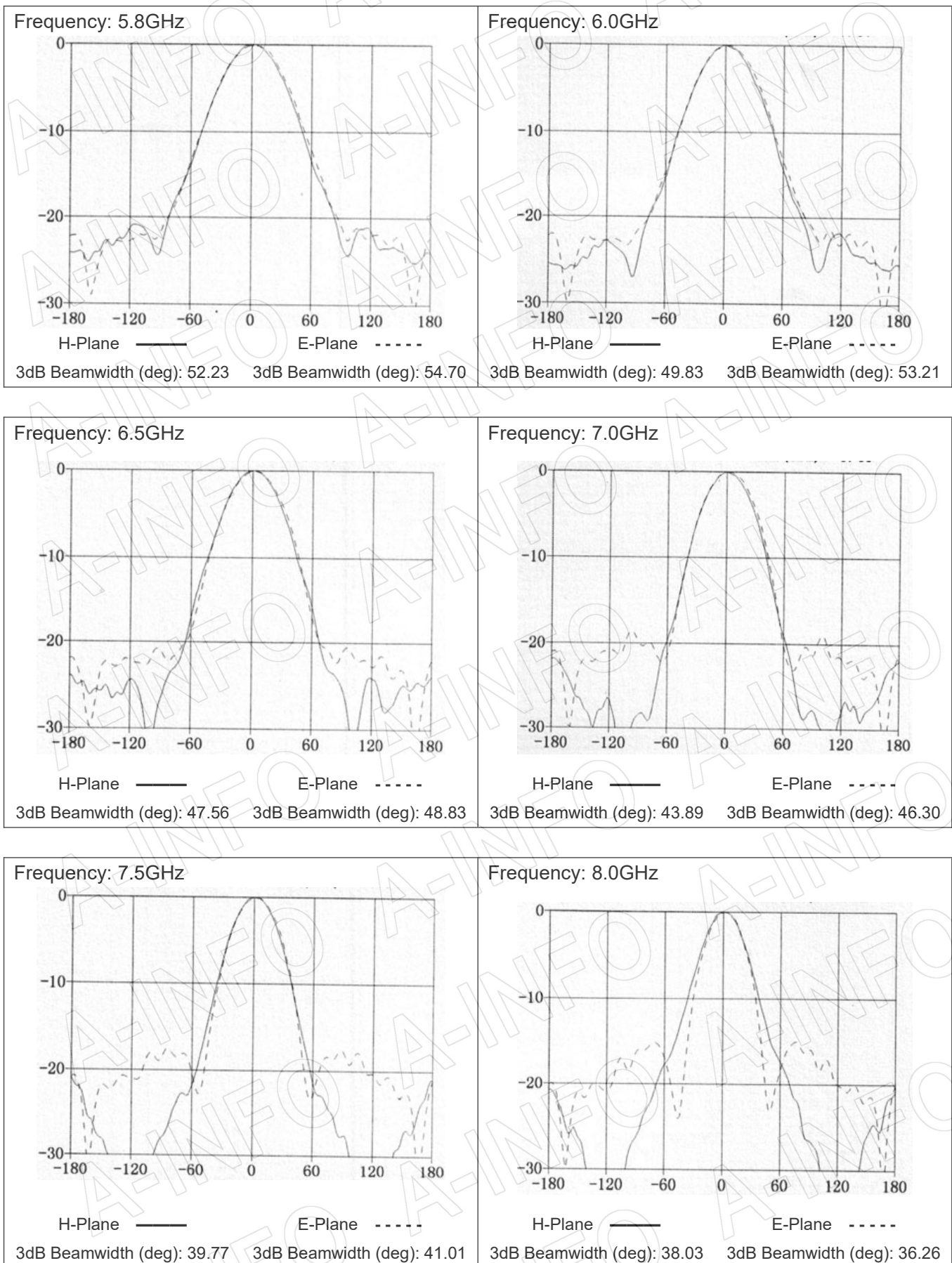
2. Cross Polarization Isolation



3. VSWR



4. Pattern



AINFO Inc.

China(Beijing): Tel: (+86) 10-6266-7326,
 China(Chengdu): Tel: (+86) 28-8519-2786,
 USA: Tel: (+1) 949-639-9688,

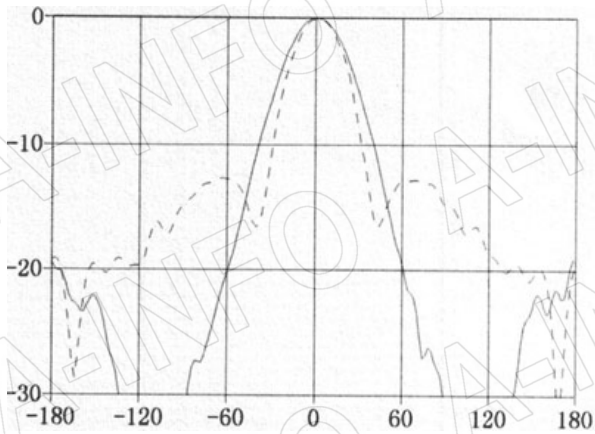
Page 6 of 9

(+86) 10-6266-7327
 (+86) 28-8519-3044
 (+1) 949-639-9608

Fax: (+86) 10-6266-7379
 Fax: (+86) 28-8519-3068
 Fax: (+1) 949-639-9670

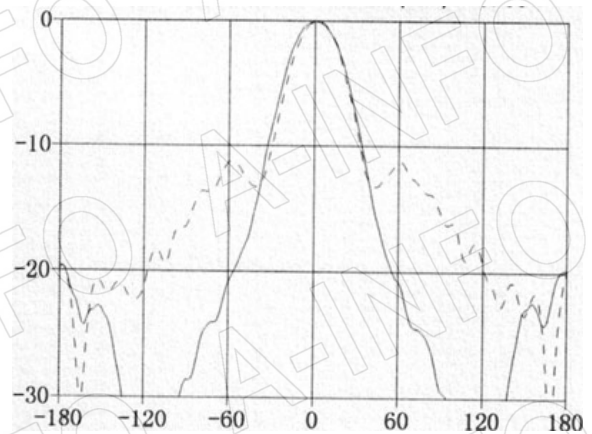
Website: www.ainfoinc.com
 Email: sales@ainfoinc.com

Frequency: 8.5GHz



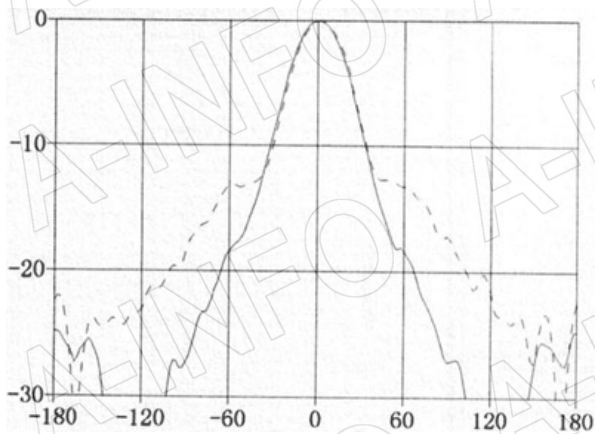
H-Plane ——— E-Plane - - - - -
 3dB Beamwidth (deg): 41.25 3dB Beamwidth (deg): 35.09

Frequency: 9.0GHz



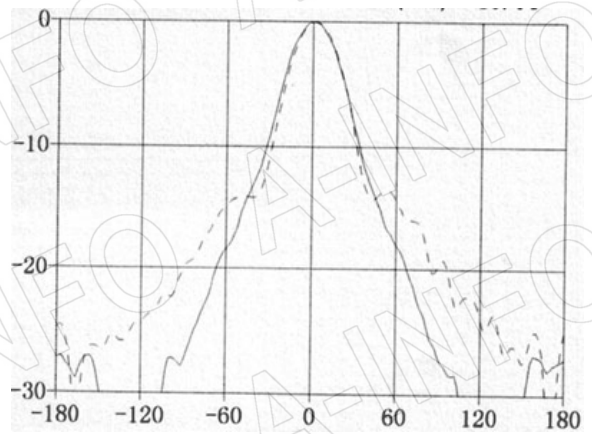
H-Plane ——— E-Plane - - - - -
 3dB Beamwidth (deg): 36.98 3dB Beamwidth (deg): 33.59

Frequency: 9.5GHz



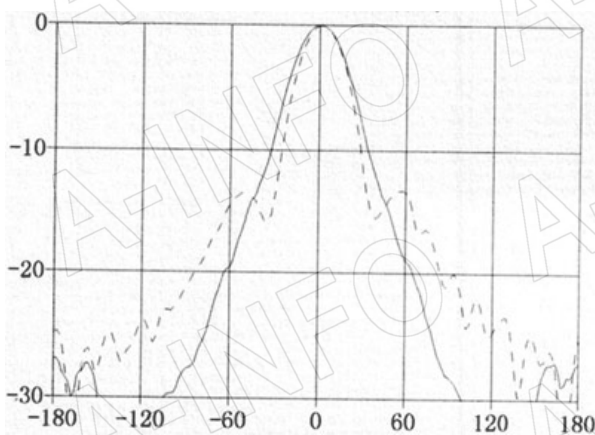
H-Plane ——— E-Plane - - - - -
 3dB Beamwidth (deg): 34.33 3dB Beamwidth (deg): 34.27

Frequency: 10.0GHz



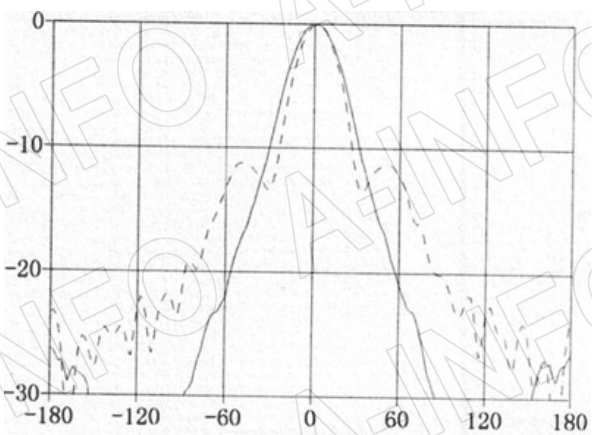
H-Plane ——— E-Plane - - - - -
 3dB Beamwidth (deg): 33.71 3dB Beamwidth (deg): 32.65

Frequency: 10.5GHz

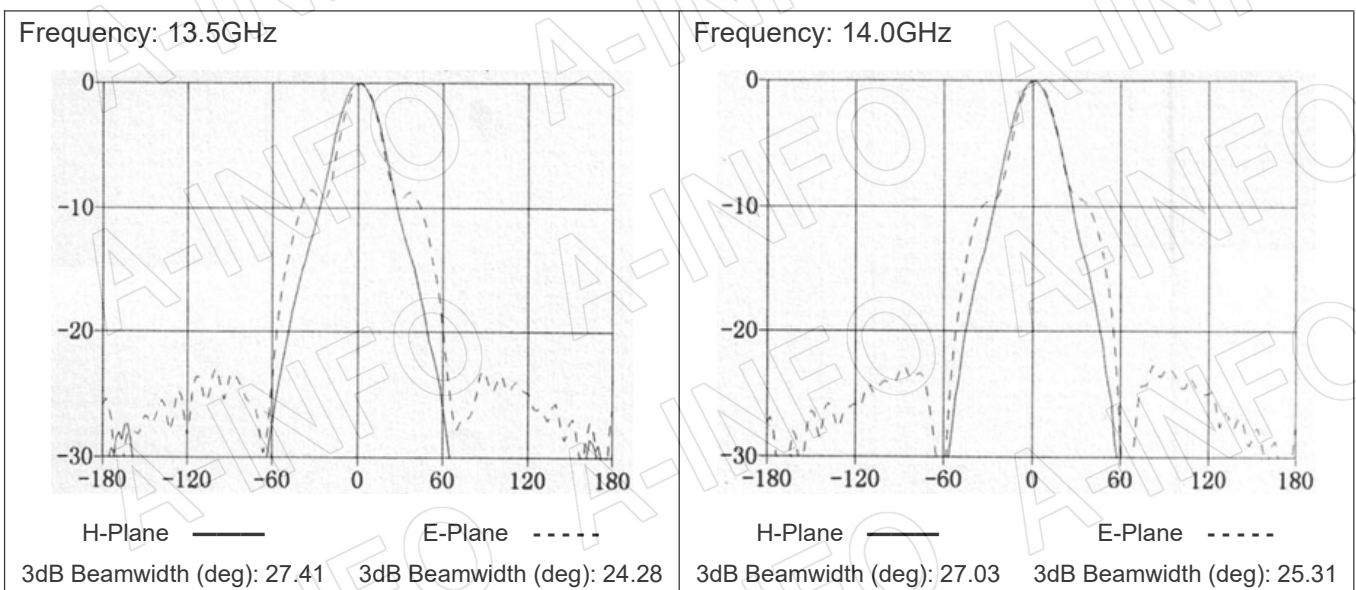
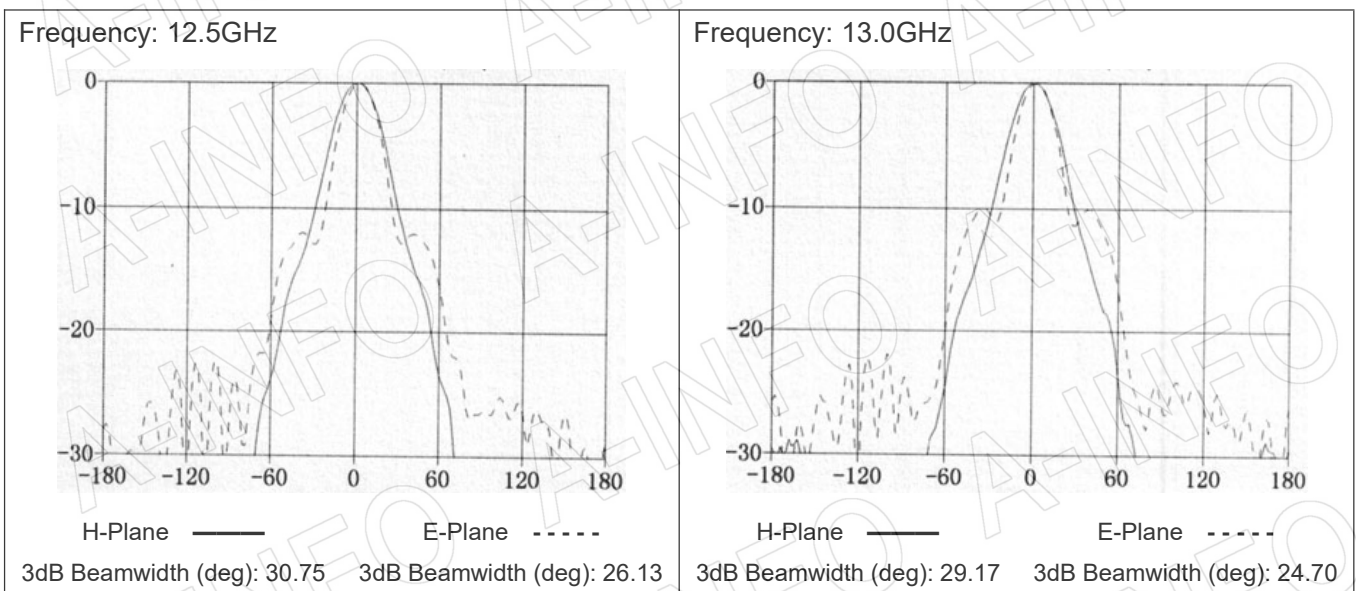
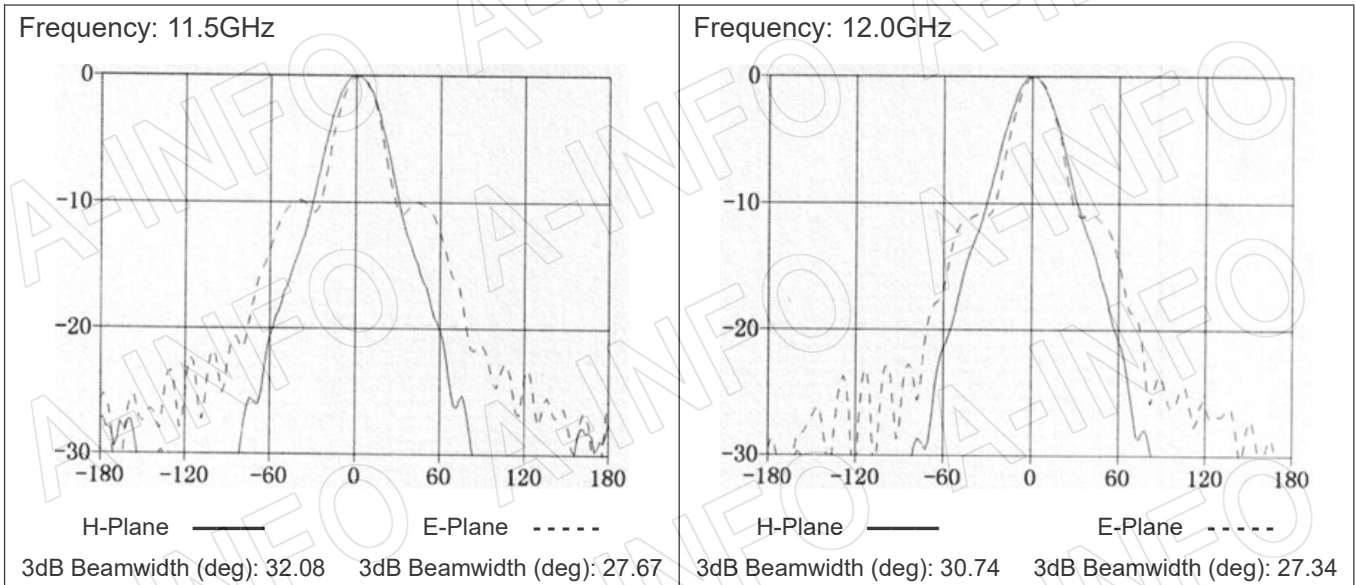


H-Plane ——— E-Plane - - - - -
 3dB Beamwidth (deg): 34.77 3dB Beamwidth (deg): 30.67

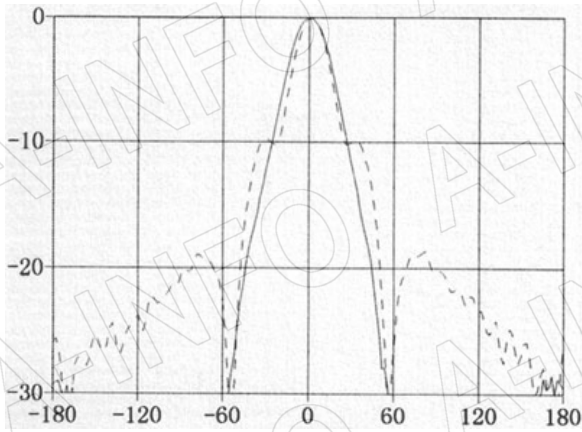
Frequency: 11.0GHz



H-Plane ——— E-Plane - - - - -
 3dB Beamwidth (deg): 32.32 3dB Beamwidth (deg): 27.48



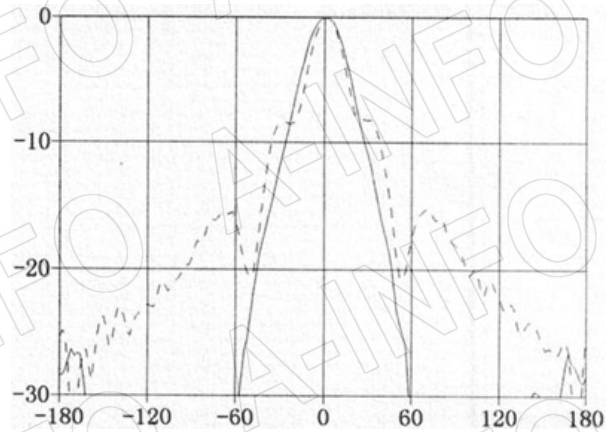
Frequency: 14.5GHz



H-Plane — E-Plane - - - -

3dB Beamwidth (deg): 26.60 3dB Beamwidth (deg): 22.40

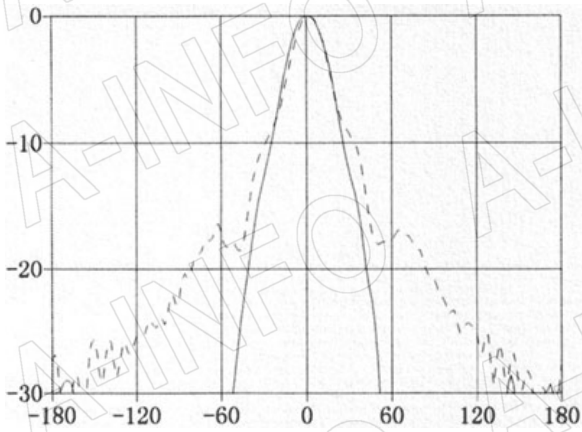
Frequency: 15.0GHz



H-Plane — E-Plane - - - -

3dB Beamwidth (deg): 26.75 3dB Beamwidth (deg): 21.70

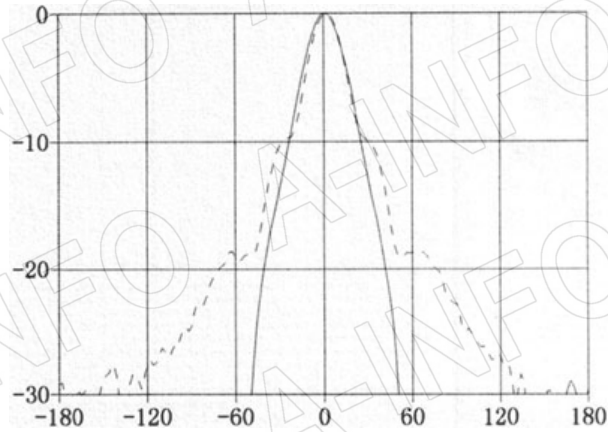
Frequency: 15.5GHz



H-Plane — E-Plane - - - -

3dB Beamwidth (deg): 26.21 3dB Beamwidth (deg): 23.63

Frequency: 16.0GHz



H-Plane — E-Plane - - - -

3dB Beamwidth (deg): 24.08 3dB Beamwidth (deg): 21.96